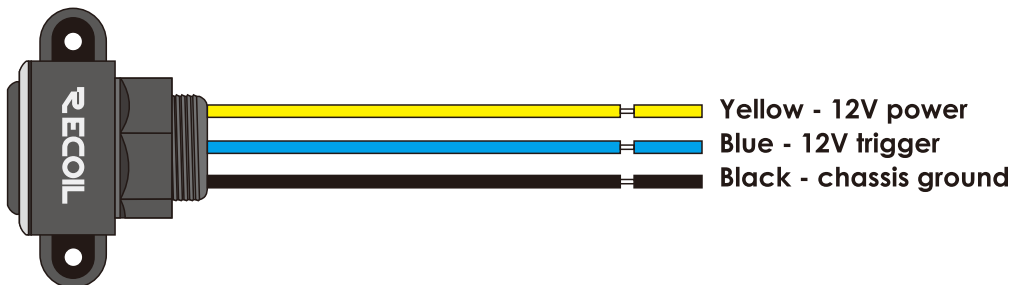


Wiring Schematic

Yellow (power) - wire to +12V power source at location of desired reading

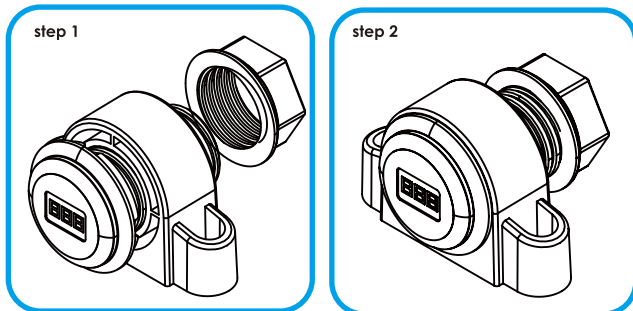
Black (ground) - wire to chassis ground

Blue (trigger) - wire to a +12V switched source (ignition) or to radio remote turn-on



Mounting Options

Option 1 - It can be surface mounted with the included bracket.



Option 2 - Drill a 7/8" hole for flush mount, tighten it from the behind.

